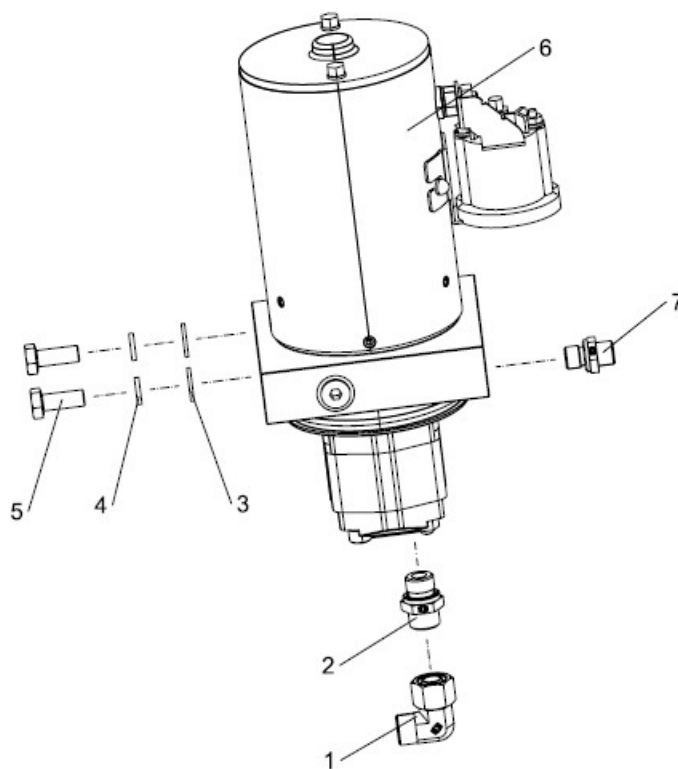


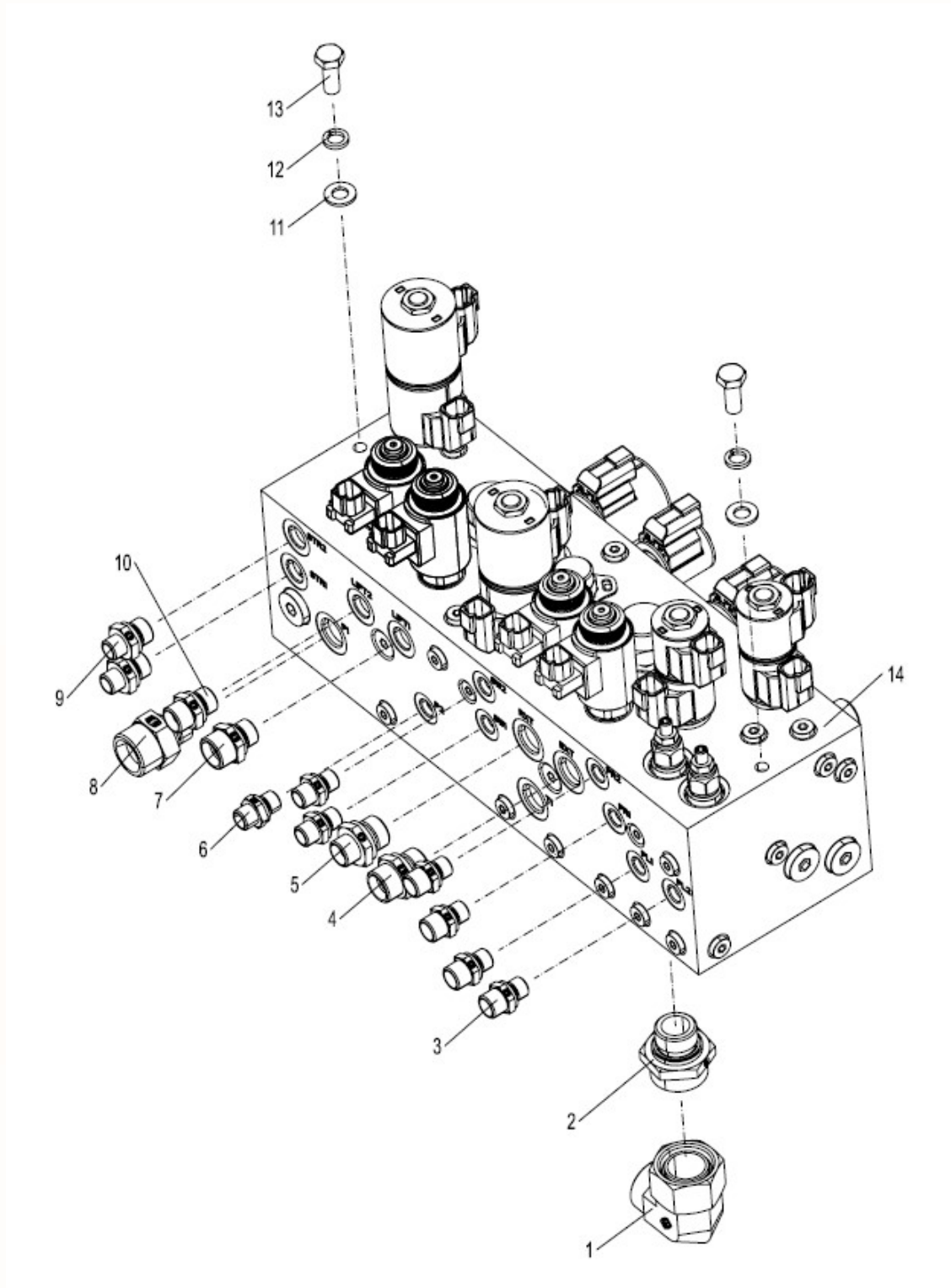
Turntable hydraulic components mounting (Auxiliary pump)
0077110520080000



**Turntable hydraulic components mounting (Auxiliary pump)
00771105200800000**

NO.	Material No.	Item and Spec	Unit	Remark
1	1140101477	Right angle built-up joint	1	EW12LOMDCF
2	1140101462	End straight coupling	1	GE12LREDOMDCF
3	1040302489	Washer 10-200HV	2	GB/T97.1-2002
4	1040301502	Washer 10	2	GB/T93-1987
5	1040002434	Bolt M10×25-8.8	2	GB/T5783-2000
6	1010001903	Auxiliary pump	1	
7	1140111237	End straight coupling	1	GE08LREDOMDCF

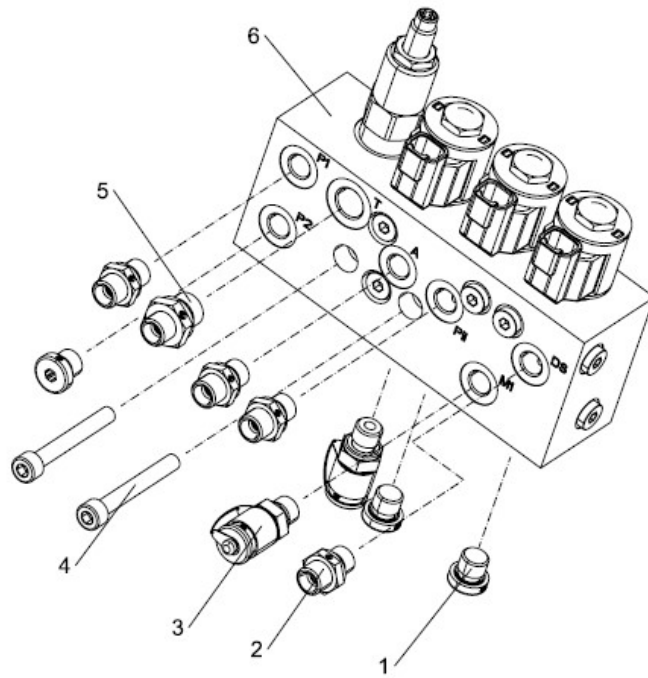
Turntable hydraulic components mounting (Main valve) 0077110520080000



**Turntable hydraulic components mounting (Main valve)
0077110520080000**

NO.	Material No.	Item and Spec	Unit	Remark
1	1140101737	Right angle built-up joint	1	EW28LOMDCF
2	1140102940	End straight coupling	1	GE28LR3/4EDOMDCF
3	1140101461	End straight coupling	4	GE10LREDOMDCF
4	1140101464	End straight coupling	1	GE15LREDOMDCF
5	1140101463	End straight coupling	1	GE12LR1/2EDOMDCF
6	1140111237	End straight coupling	3	GE08LREDOMDCF
7	1140101465	End straight coupling	1	GE15LR3/8EDOMDCF
8	1140102939	End straight coupling	1	GE20SR1/2EDOMDCF
9	1140108469	End straight coupling	1	GE08LR3/8EDOMDCF
10	1140101462	End straight coupling	1	GE12LREDOMDCF
11	1040302489	Washer 10-200HV	2	GB/T97.1-2002
12	1040301502	Washer 10	2	GB/T93-1987
13	1040002434	Bolt M10×25-8.8	2	GB/T5783-2000
14	1010306165	Main valve	1	

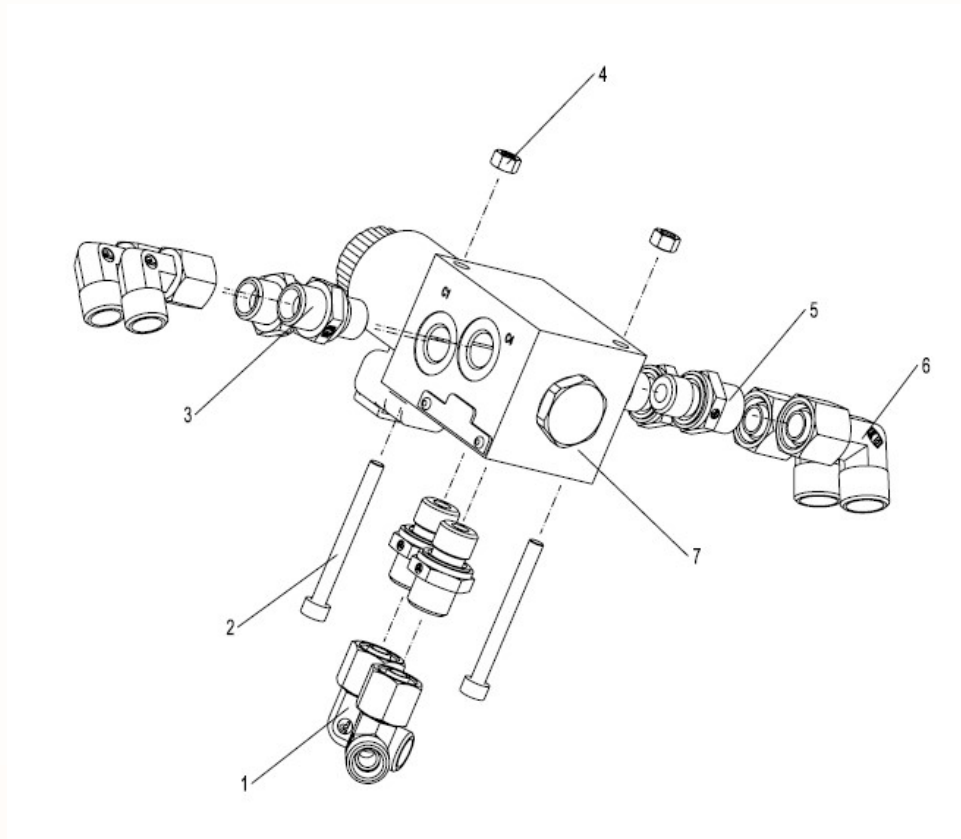
**Turntable hydraulic components mounting (travel control valve)
0077110520080000**



**Turntable hydraulic components mounting (travel control valve)
00771105200800000**

NO.	Material No.	Item and Spec	Unit	Remark
1	1140103265	Hex scocket end cap	3	VST11/4EDCF
2	1140111237	End straight coupling	4	GE08LREDOMDCF
3	1140114187	Pressure joints	2	SD-M16×2-F-G1/4"
4	1040102739	Screw M8×60-8.8	2	GB/T70.1-2000
5	1140108469	End straight coupling	1	GE08LR3/8EDOMDCF
6	1019807527	Two-speed brake floating block	1	

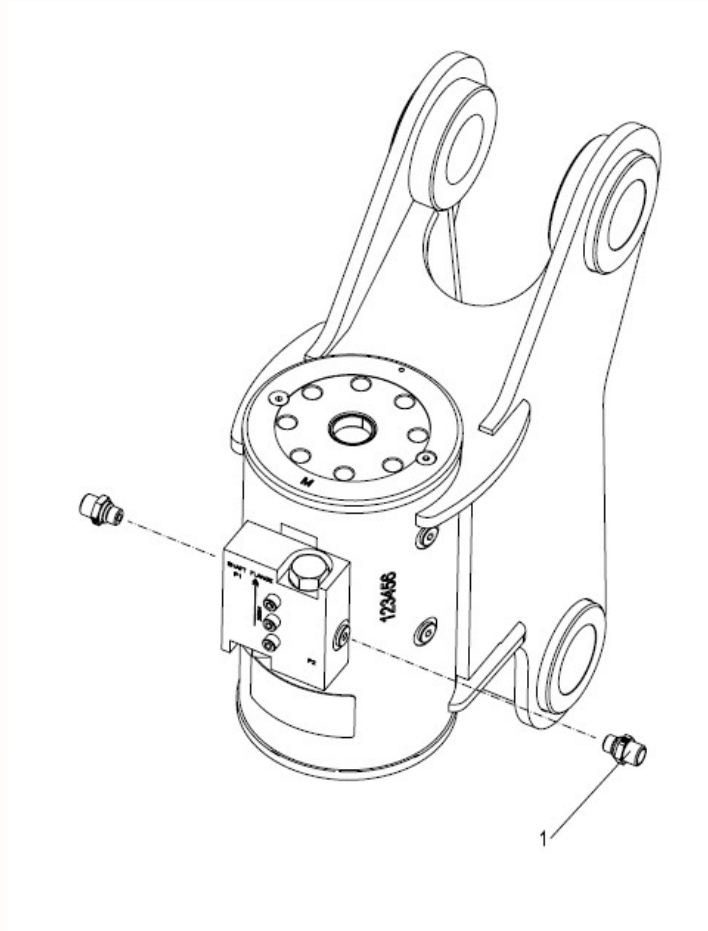
**Platform hydraulic components mounting (jib valve)
0077110520100000**



**Platform hydraulic components mounting (jib valve)
0077110520100000**

NO.	Material No.	Item and Spec	Unit	Remark
1	1140101475	Right angle built-up joint	4	EW08LOMDCF
2	1040103108	Screw M5×50-A2-70	2	GB/T70.1-2000
3	1140111237	End straight coupling	4	GE08LREDOMDCF
4	1040200574	Nut 5	2	GB/T6170-2000
5	1140101461	End straight coupling	2	GE10LREDOMDCF
6	1140101476	Right angle built-up joint	2	EW10LOMDCF
7	1010306016	Platform select valve	1	

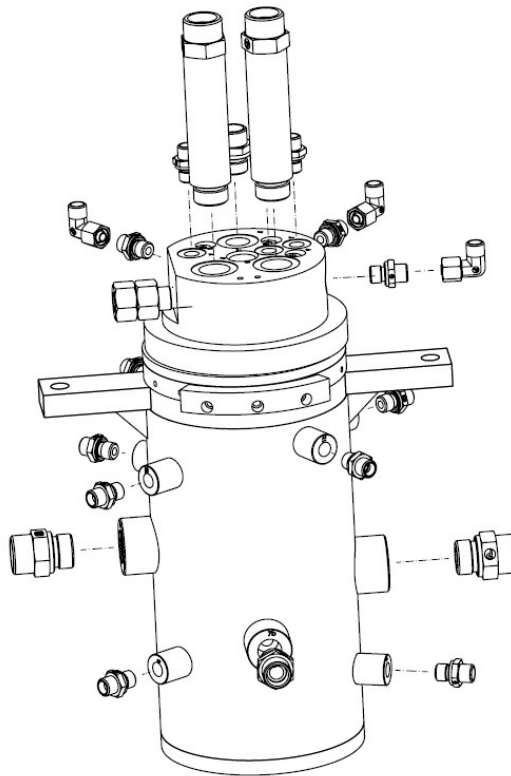
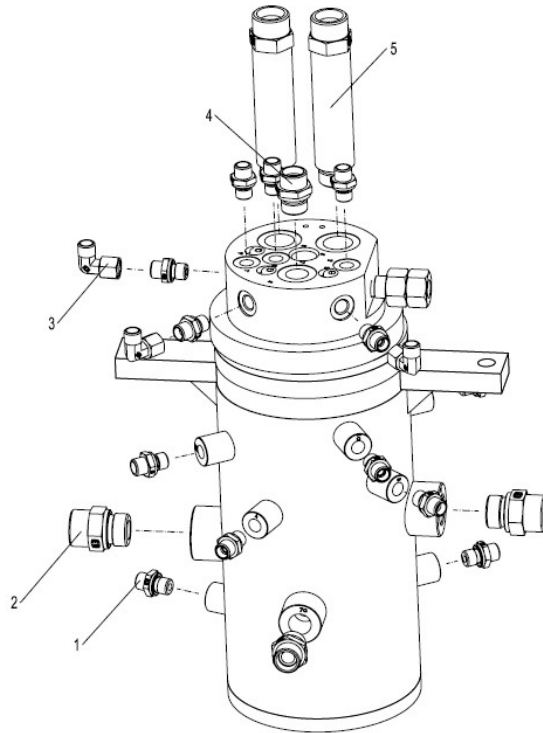
**Platform hydraulic components mounting (rotary actuator)
0077110520100000**



**Platform hydraulic components mounting (rotary actuator)
0077110520100000**

NO.	Material No.	Item and Spec	Unit	Remark
1	1140107814	End straight coupling	2	GE08L7/16UNFOMDCF

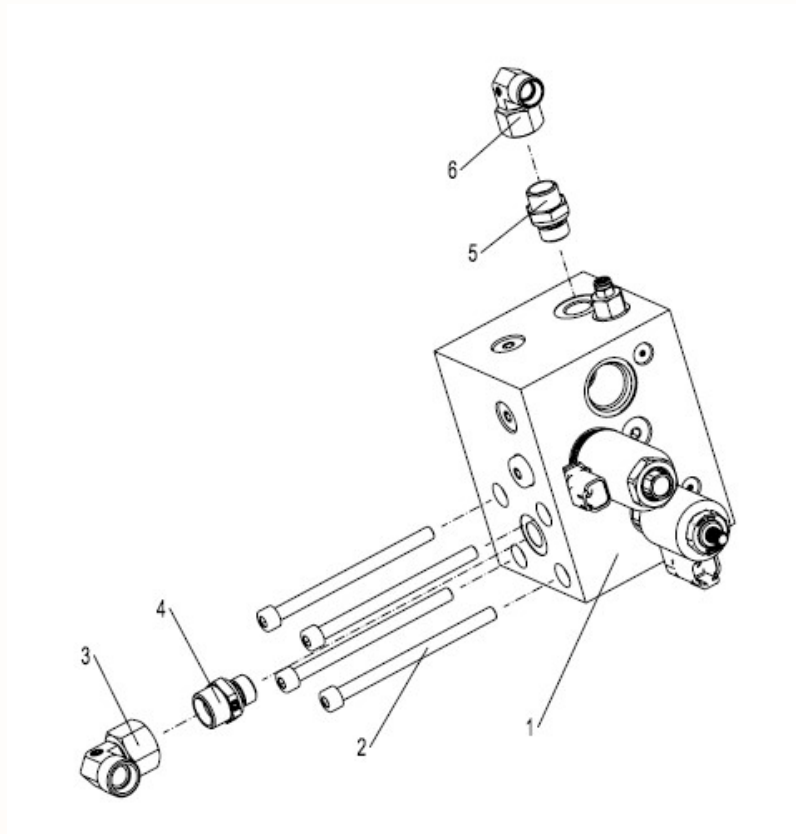
Center swivel joint installation 00771105201200000



Center swivel joint installation 00771105201200000

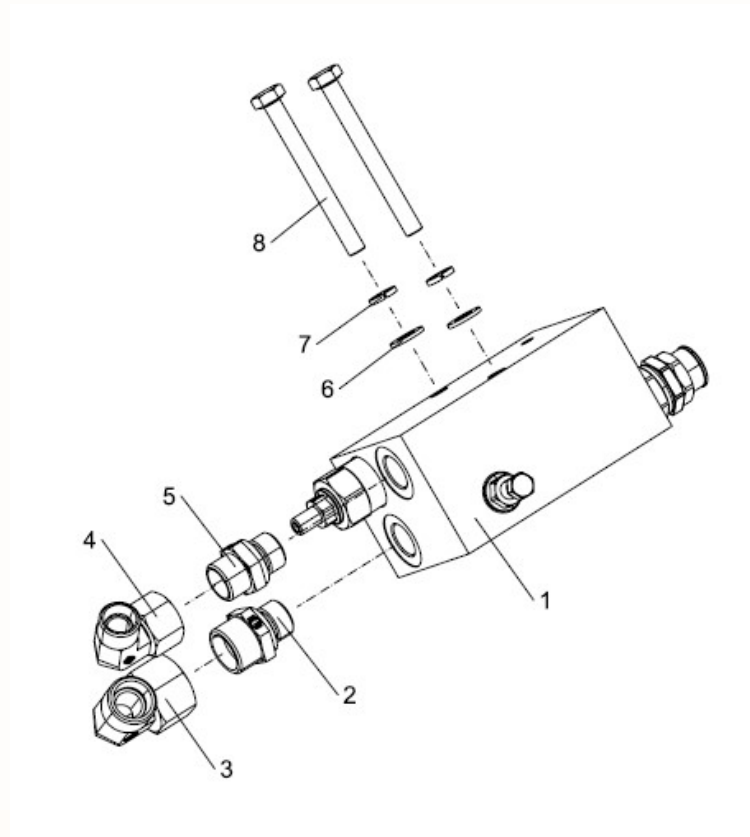
NO.	Material No.	Item and Spec	Unit	Remark
1	1140111237	End straight coupling	14	GE08LREDOMDCF
2	1140101523	End straight coupling	2	GE20SREDOMDCF
3	1140101475	Right angle built-up joint	3	EW08LOMDCF
4	1140101464	End straight coupling	3	GE15LREDOMDCF
5	1140114410	End through extension joint	2	GE20SREDOMDCF-L150

Balance valve mounting (lifting balance valve) 0077110520140000



Balance valve mounting (lifting balance valve) 00771105201400000

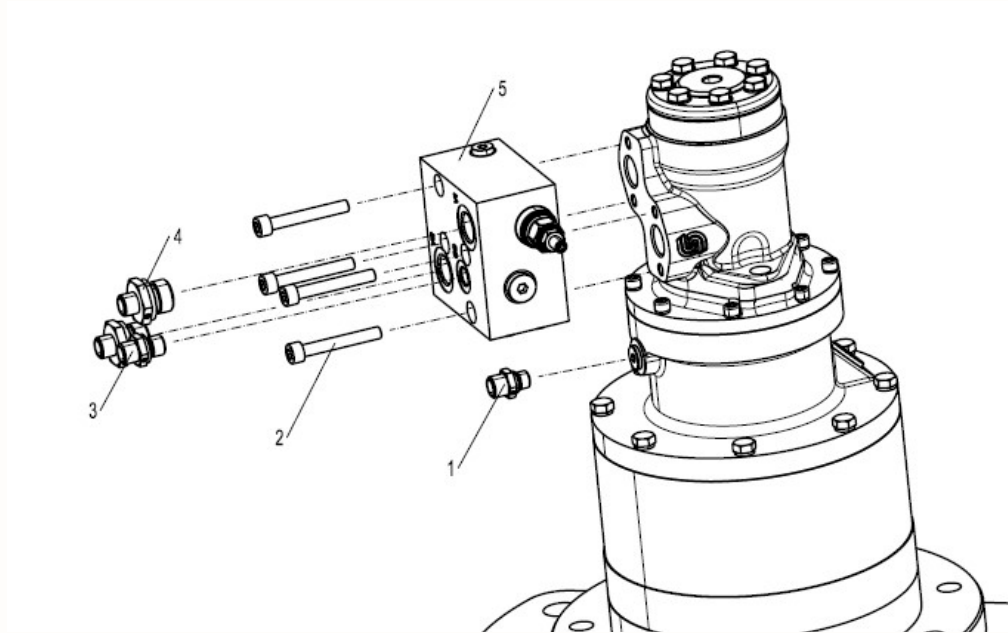
NO.	Material No.	Item and Spec	Unit	Remark
1	1010306161	Lifting balance valve	1	
2	1040103119	Screw M8×110-8.8	4	GB/T70.1-2000
3	1140101478	Right angle built-up joint	1	EW15LOMDCF
4	1140101465	End straight coupling	1	GE15LR3/8EDOMDCF
5	1140101462	End straight coupling	1	GE12LREDOMDCF
6	1140101477	Right angle built-up joint	1	EW12LOMDCF

Balance valve mounting (telescopic balance valve) 0077110520140000

Balance valve mounting (telescopic balance valve) 0077110520140000

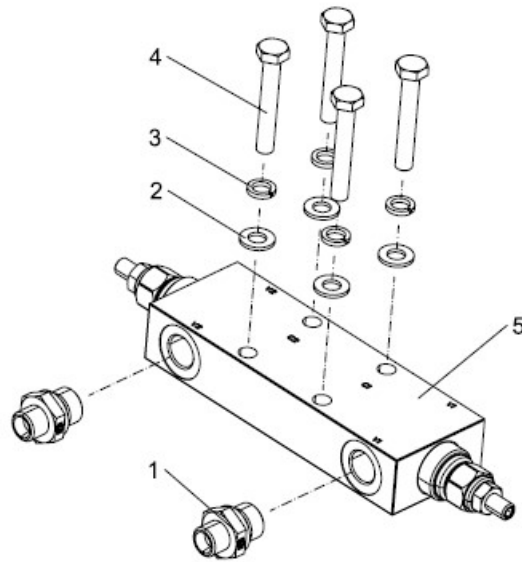
NO.	Material No.	Item and Spec	Unit	Remark
1	1010306160	Telescopic balance valve	1	
2	1140101465	End straight coupling	1	GE15LR3/8EDOMDCF
3	1140101478	Right angle built-up joint	1	EW15LOMDCF
4	1140101477	Right angle built-up joint	1	EW12LOMDCF
5	1140101462	End straight coupling	1	GE12LREDOMDCF
6	1040301515	Washer 8-200HV	2	GB/T97.1-2002
7	1040301510	Washer 8	2	GB/T93-1987
8	1040004603	Bolt M8×75-8.8	2	GB/T5782-2000

Balance valve mounting (swing balance valve) 0077110520140000



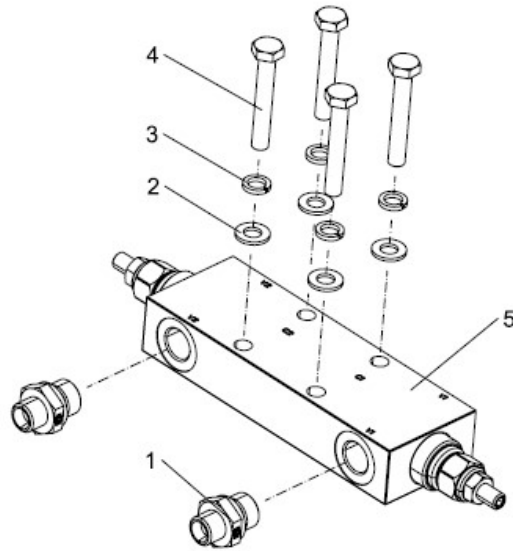
Balance valve mounting (swing balance valve) 00771105201400000

NO.	Material No.	Item and Spec	Unit	Remark
1	1140107814	End straight coupling	1	GE08L7/16UNFOMDCF
2	1040102738	Screw M8×55-8.8	4	GB/T70.1-2000
3	1140111237	End straight coupling	1	GE08LREDOMDCF
4	1060300279	End straight coupling	2	GE08LR1/2EDOMDCF
5	1010305715	OMP-OMR motor balance valve (bivalve)	1	

Balance valve mounting (jib balance valve) 00771105201400000

Balance valve mounting (jib balance valve) 0077110520140000

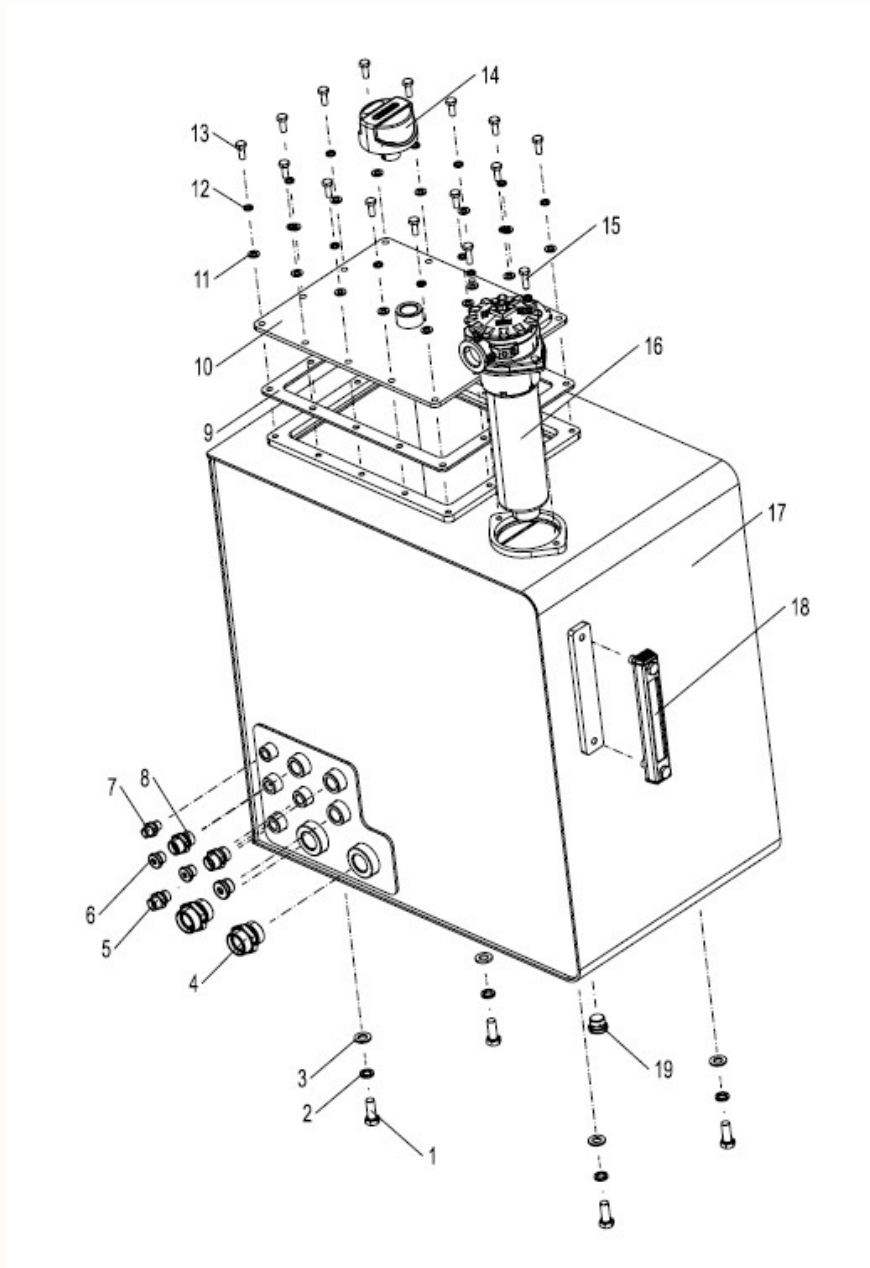
NO.	Material No.	Item and Spec	Unit	Remark
1	1140108469	End straight coupling	2	GE08LR3/8EDOMDCF
2	1040301515	Washer 8-200HV	4	GB/T97.1-2002
3	1040301510	Washer 8	4	GB/T93-1987
4	1040004522	Bolt M8×50-8.8	4	GB/T5783-2000
5	1010305985	Double orifice plate bivalve	1	

Balance valve mounting (leveling balance valve) 0077110520140000

Balance valve mounting (leveling balance valve) 00771105201400000

NO.	Material No.	Item and Spec	Unit	Remark
1	1140108469	End straight coupling	2	GE08LR3/8EDOMDCF
2	1040301515	Washer 8-200HV	4	GB/T97.1-2002
3	1040301510	Washer 8	4	GB/T93-1987
4	1040004522	Bolt M8×50-8.8	4	GB/T5783-2000
5	1010305985	Double orifice plate bivalve	1	

Hydraulic oil tank 00771105201600000



Hydraulic oil tank 00771105201600000

NO.	Material No.	Item and Spec	Unit	Remark
1	1040004511	Bolt M12×30-8.8	4	GB/T5783-2000
2	1040301503	Washer 12	4	GB/T93-1987
3	1040302490	Washer 12-200HV	4	GB/T97.1-2002
4	1140103362	End straight coupling	2	GE28LREDOMDCF
5	1140101462	End straight coupling	1	GE12LREDOMDCF
6	1140101629	Hex socket end cap	2	VSTI3/8EDCF
7	1140111237	End straight coupling	1	GE08LREDOMDCF
8	1140101464	End straight coupling	2	GE15LREDOMDCF
9	00771405201601010	Cover plate rubber pad	1	
10	00771405201620000	Cover assembly	1	
11	1040301515	Washer 8-200HV	16	GB/T97.1-2002
12	1040301510	Washer 8	16	GB/T93-1987
13	1040004518	Bolt M8×20-8.8	14	GB/T5783-2000
14	1010500340	Air filter	1	
15	1040004519	Bolt M8×25-8.8	2	GB/T5783-2000
16	1010601139	Return oil filter	1	
17	00771105201610000	Oil tank	1	
18	1019901354	Liquid level thermometer	1	
19	1140107416	Hex socket end cap	2	VSTI1/2EDCF

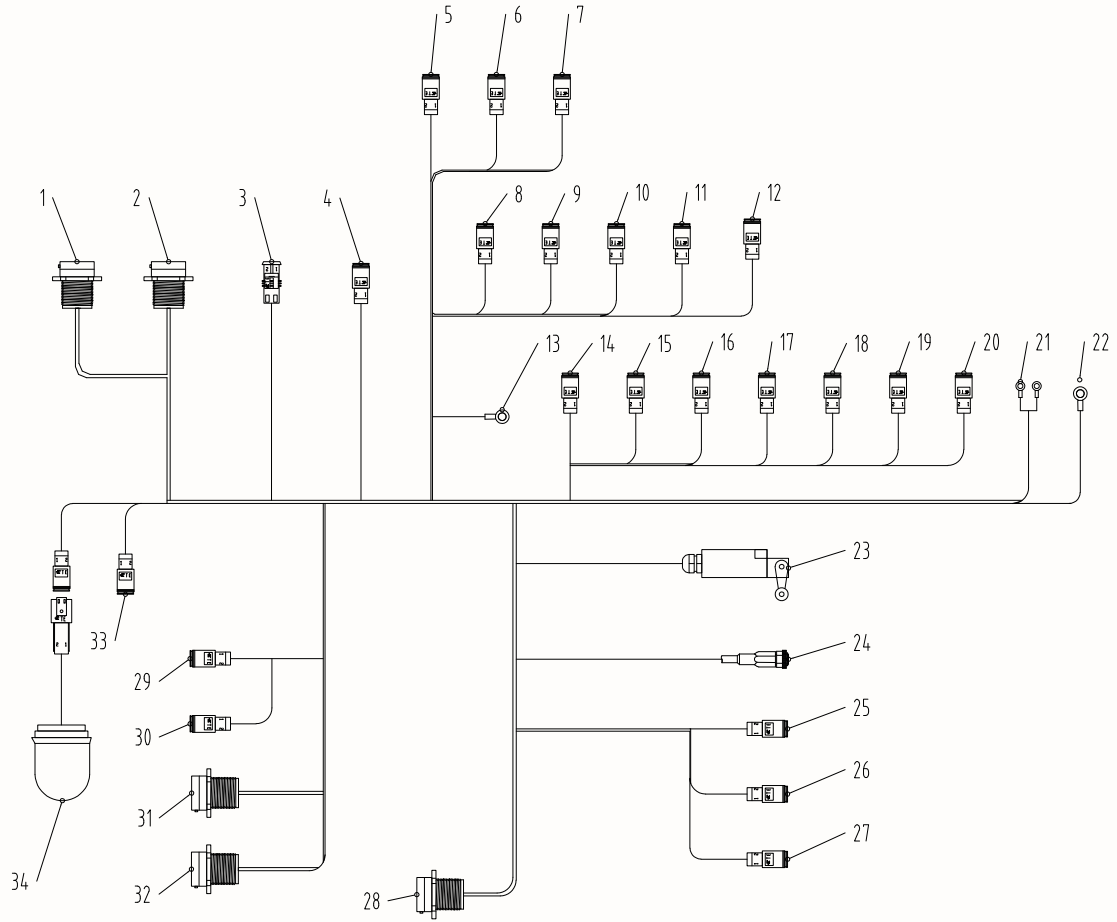
ZOOMLION

Parts Manual

Section 7 Electrical System



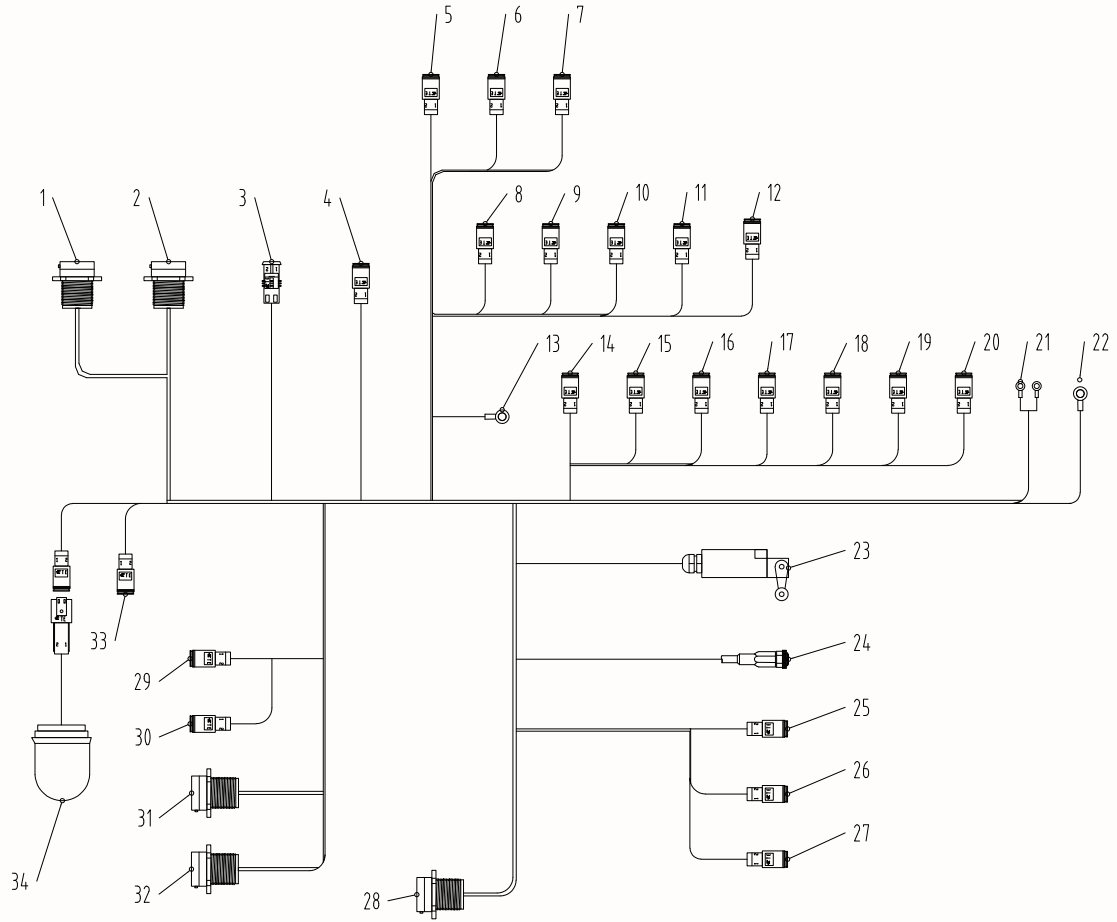
Turntable cables 00771106210410000 (Perkins)



Turntable cables 00771106210410000 (Perkins) Terminal component

NO.	Material No.	Item and Spec	Unit	Mark No.
1	00771106210210000	Turntable electrical box	1	1
2	1020304982	Buzzer /GFB-202-G	1	14
3	1029906298	Turntable corner limit switch	1	23
4	1021404019	Tilt angle sensor/AMU-CBO	1	24
5	00771106210420000	ECU cables	1	28
6	00771106200610000	Cable restructuring	1	31
7	00771106200430000	Boom cables	1	32
8	1020404399	Work alarm/JD90A-H03Y012	1	34

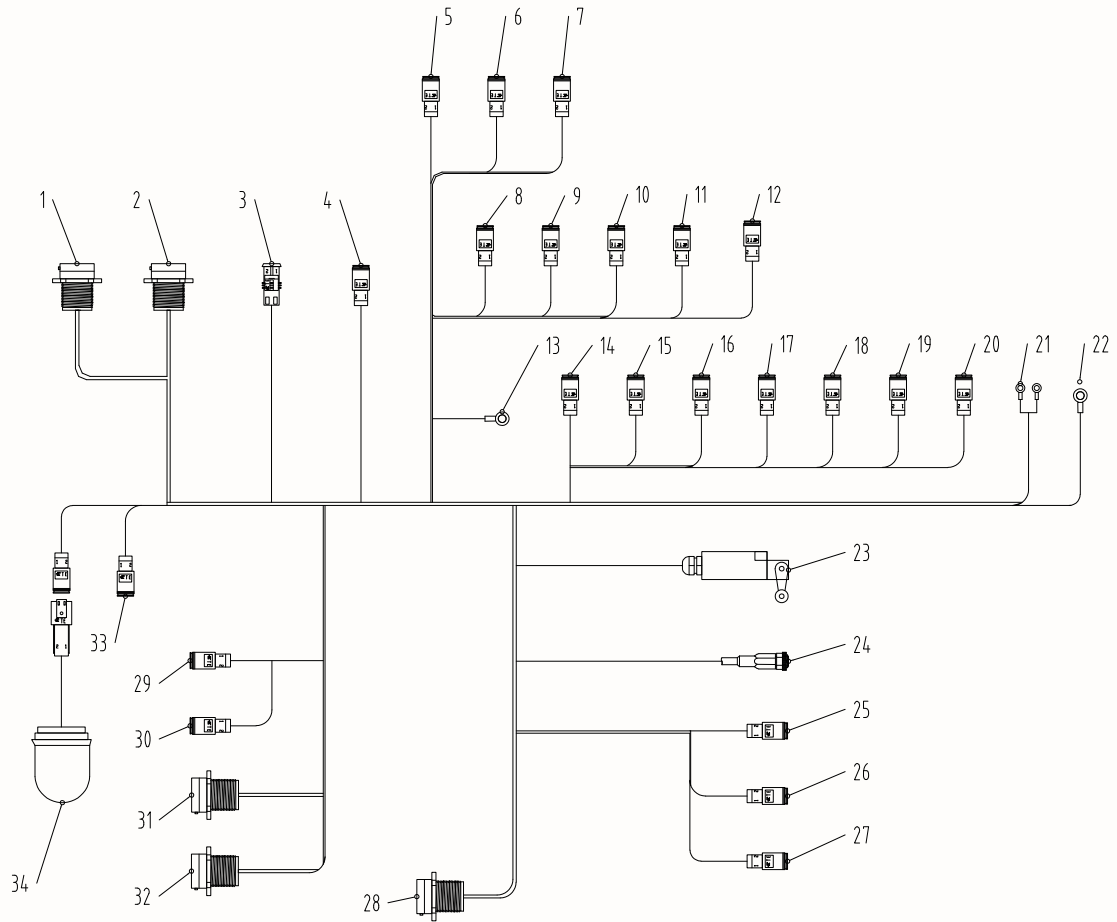
Turntable cables 00771106210410000 (Perkins)



Turntable cables 00771106210410000(Perkins) connector

NO.	Material No.	Item and Spec	Unit	Mark No.
1	1029903316	socket sheath/DSLCT-4801	1	1
2	1029902632	Terminal/DSLCT-0201 female pin	46	
3	1029900402	ITT cutting sleeve/HM 26ITT	1	
4	1029902634	cutting sleeve/DSLCT-032	1	2
5	1029900402	ITT cutting sleeve/HM 26ITT	1	
6	1029902632	Terminal/DSLCT-0201 female pin	23	
7	1029902630	Terminal/DSLCT-0101 female pin	6	28
8	1029902634	cutting sleeve/DSLCT-032	1	
9	1029900402	ITT cutting sleeve/HM 26ITT	1	
10	1029902632	Terminal/DSLCT-0201 female pin	14	
11	1029902630	Terminal/DSLCT-0101 female pin	4	31
12	1020703399	Circular connector/HD36-18-14SN	1	
13	1020700543	Contact pin/1062-16-0122	8	32
14	1020702639	Deutsch connector/HD34-18-14PN	1	
15	1020700969	Contact pin/1060-16-0122	11	3
16	1020703635	Protecting case/7807128	1	
17	1022202106	cutting sleeve/282080-1	1	
18	1029900316	Terminal/282110-1	2	33
19	1029900317	Waterproof plug/281934-2	1	
20	1022200646	Connector attachment/1011-227-0205	21	4、.....、20、25、26、27、29、30、
21	1020700951	Connector/DT06-2S	21	
22	1022200194	Latch/W2S	21	33
23	1020700543	Contact pin/1062-16-0122	42	24
24	1020701702	Sensor cable/EVC070	1	

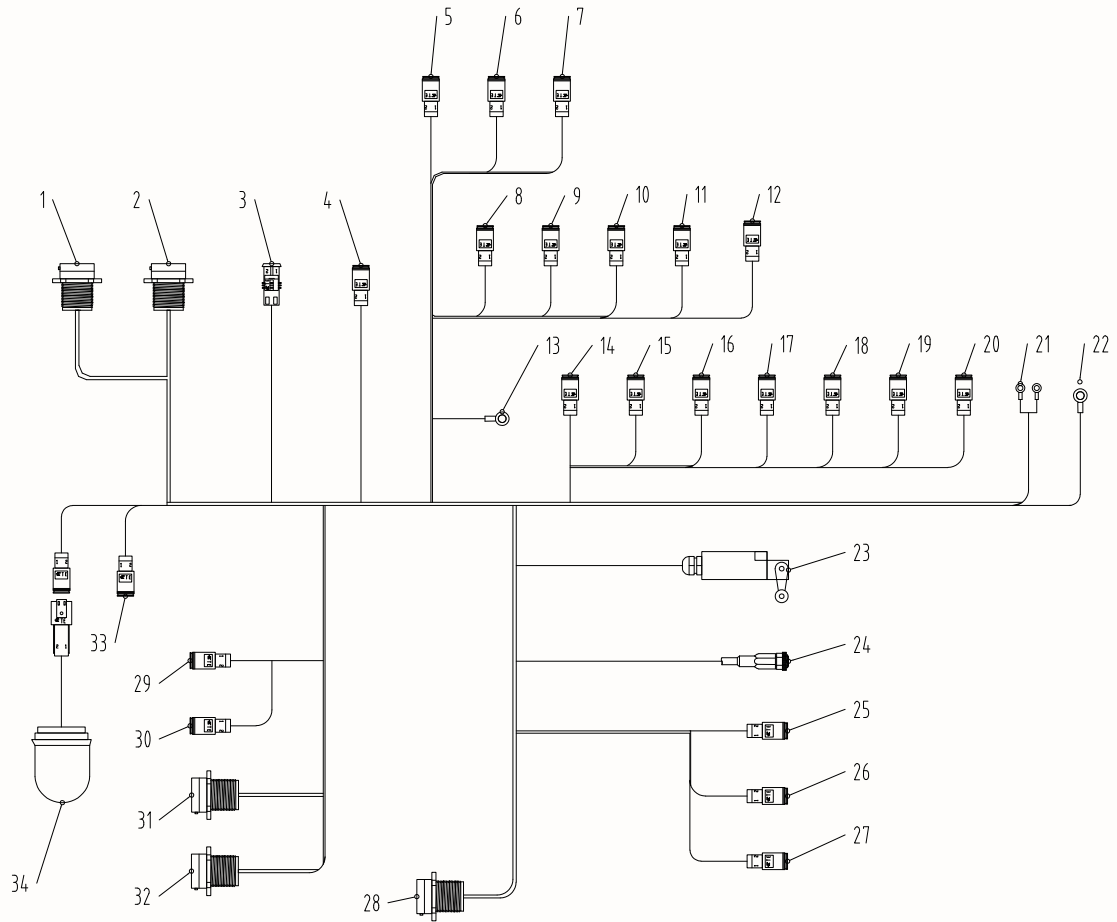
Turntable cables 00771106200410000 (Deutz D435)



Turntable cables 00771106200410000 (Deutz D435) Terminal components

NO.	Material No.	Item and Spec	Unit	Mark No.
1	00771106200210000	Turntable electrical box 1	1	1
2	1020304982	Buzzer	1	14
3	1029906298	Turntable corner limit switch	1	23
4	1021404019	Tilt angle sensor	1	24
5	00771106200420000	ECU cables	1	28
6	00771106200610000	Cable restructuring	1	31
7	00771106200430000	Boom cables	1	32
8	1020404399	Work alarm	1	34

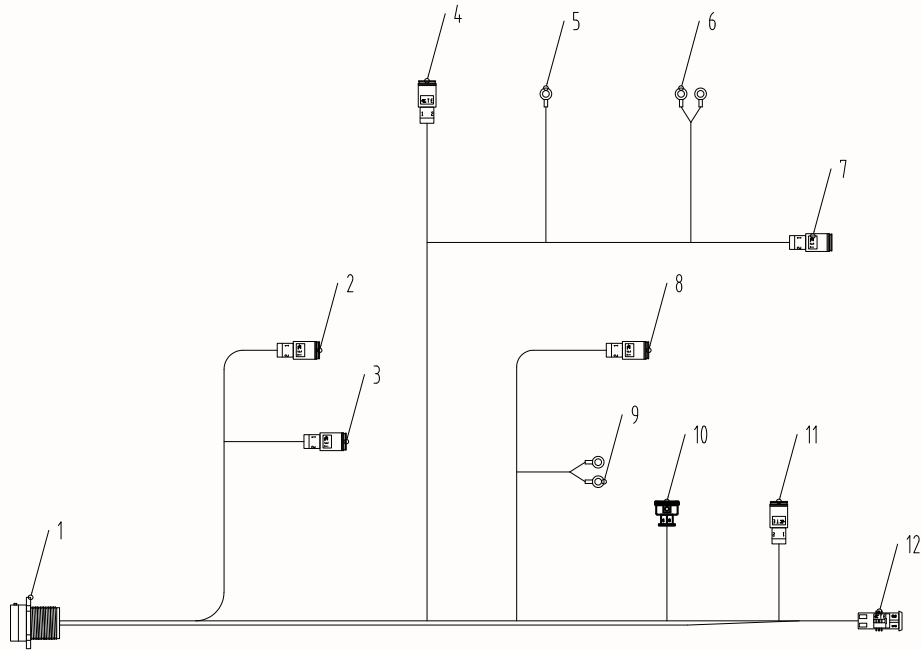
Turntable cables 00771106200410000 (Deutz D435)



Turntable cables 00771106210410000 (Deutz D435) connector

NO.	Material No.	Item and Spec	Unit	Mark No.
1	1029903316	socket sheath/DSLCT-4801	1	1
2	1029902632	Terminal/DSLCT-0201 female pin	40	
3	1029900402	ITTcutting sleeve/HM 26ITT	1	
4	1029902634	cutting sleeve/DSLCT0032	1	2
5	1029900402	ITTcutting sleeve/HM 26ITT	1	
6	1029902632	Terminal/DSLCT-0201 female pin	23	
7	1029902630	Terminal/DSLCT-0101 female pin	6	28
8	1029902634	cutting sleeve/DSLCT0032	1	
9	1029900402	ITTcutting sleeve/HM 26ITT	1	
10	1029902632	Terminal/DSLCT-0201 female pin	10	32
11	1029902630	Terminal/DSLCT-0101 female pin	3	
12	1020703399	Circular connector/HD36-18-14SN	1	
13	1020700543	Contact pin/1062-16-0122	11	21
14	1020702639	Deutsch connector/HD34-18-14PN	1	
15	1020700969	Contact pin/1060-16-0122	8	
16	1020703635	Protecting case/7807128	1	3
17	1022202106	cutting sleeve/282080-1	1	
18	1029900316	Terminal/282110-1	2	
19	1029900317	Waterproof plug/281934-2	1	4、.....、20、25、 26、27、29、30、
20	1022200646	Connector attachment/1011-227-0205	21	
21	1020700951	Connector/DT06-2S	21	
22	1022200194	Latch/W2S	21	33
23	1020700543	Contact pin/1062-16-0122	42	24
24	1020701702	Sensor cable/EVC070	1	

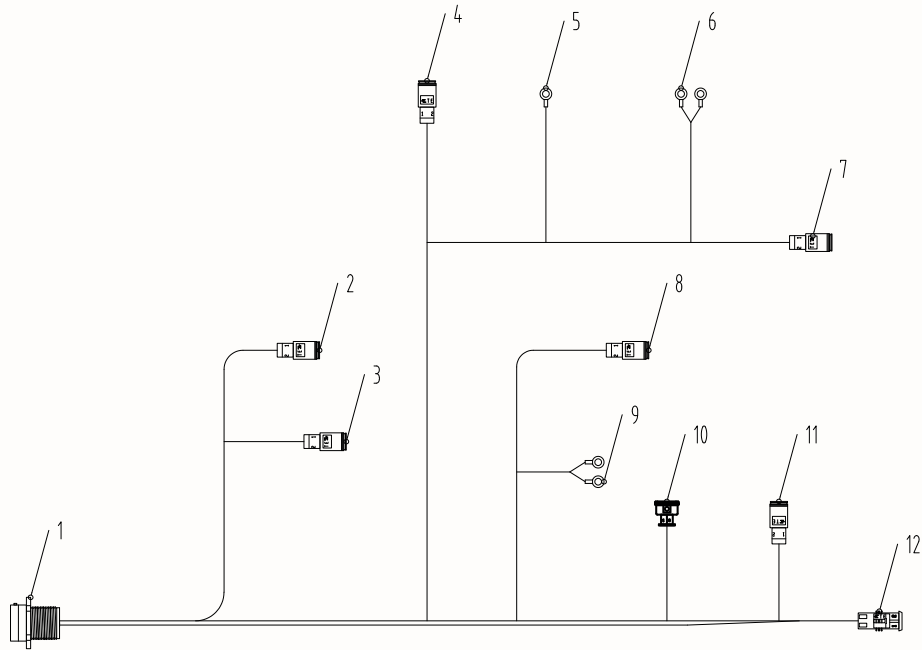
ECU cables 00771106210420000 (Perkins)



ECU cables00771106210420000(Perkins)Terminal components

NO.	Material No.	Item and Spec	Unit	Mark No.
1	00771106210410000	Turntable cables	1	1
2	1020104107	Accelerator machine controller	1	4
3	1020305006	Preheating relay	1	9

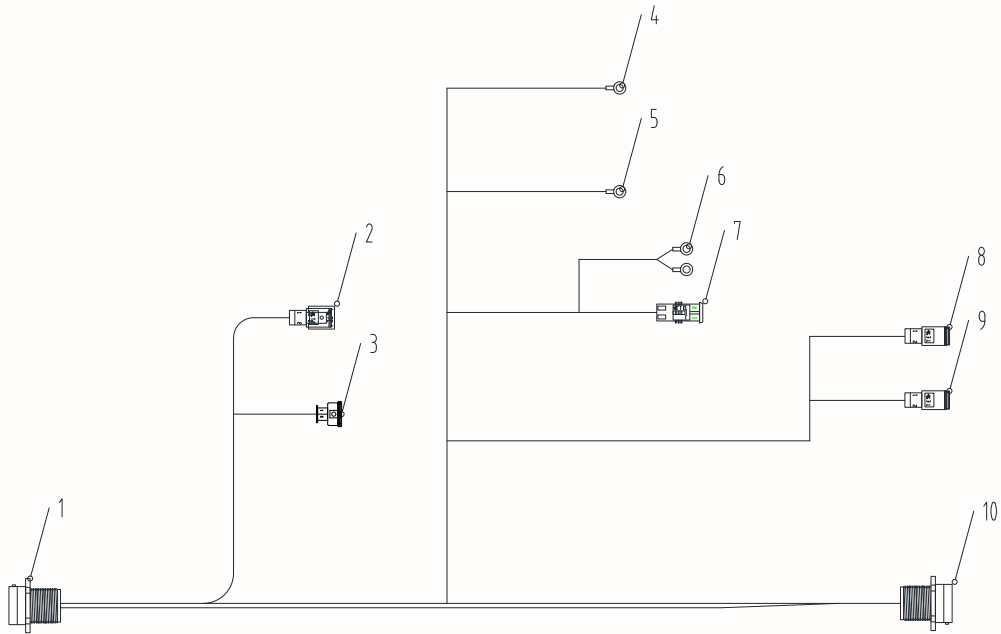
ECU cables 00771106210420000(Perkins)



ECU cables00771106210420000 (Perkins) connector

NO.	Material No.	Item and Spec	Unit	Mark No.
1	1029902634	cutting sleeve/DSLCT-0032	1	1
2	1029900402	ITTcutting sleeve/HM 26ITT	1	
3	1029902633	Terminal/DSLCT-0202 male pin	14	
4	1029902631	Terminal/DSLCT-0102 male pin	4	
5	1022200646	Connector attachment/1011-227-0205	5	2、3、7、8、11
6	1020700951	Connector/DT06-2S	5	
7	1022200194	Latch/W2S	5	
8	1020700543	Terminal/1062-16-0122	10	
9	1022200647	Plastic rear cover/1011-237-0405	1	4
10	1020700953	cutting sleeve/DT04-4P	1	
11	1020700954	Latch/W4P	1	
12	1020701495	Terminal/1060-16-0122	4	
13	1029900002	cutting sleeve/282189-1	1	10
14	1029900129	Terminal/927770-1	2	
15	/	Waterproof plug/828904-1	1	
16	1020703635	Protecting case/7807128	1	
17	1020703635	Protecting case/7807128	1	12
18	1022202106	cutting sleeve/282080-1	1	
19	1029900316	Terminal/282110-1	2	
20	1029900317	Waterproof plug/281934-2	1	

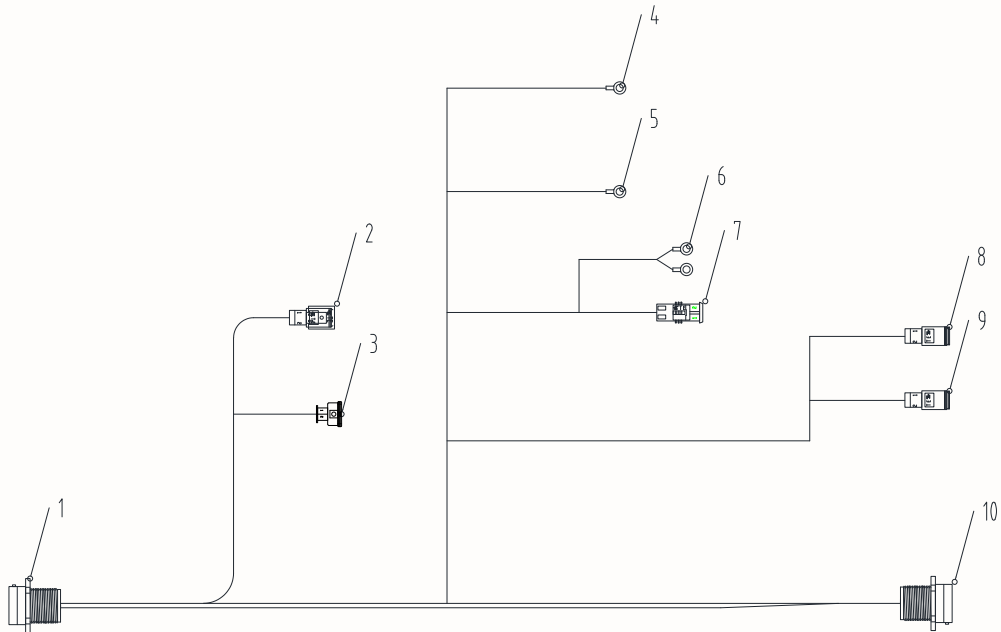
ECU cables 00771106200420000 (Deutz D435)



ECU cables00771106200420000 (Deutz D435) Terminal components

NO.	Material No.	Item and Spec	Unit	Mark No.
1	00771106200410000	Turntable cables	1	1
2	1020305006	Preheating relay	1	6

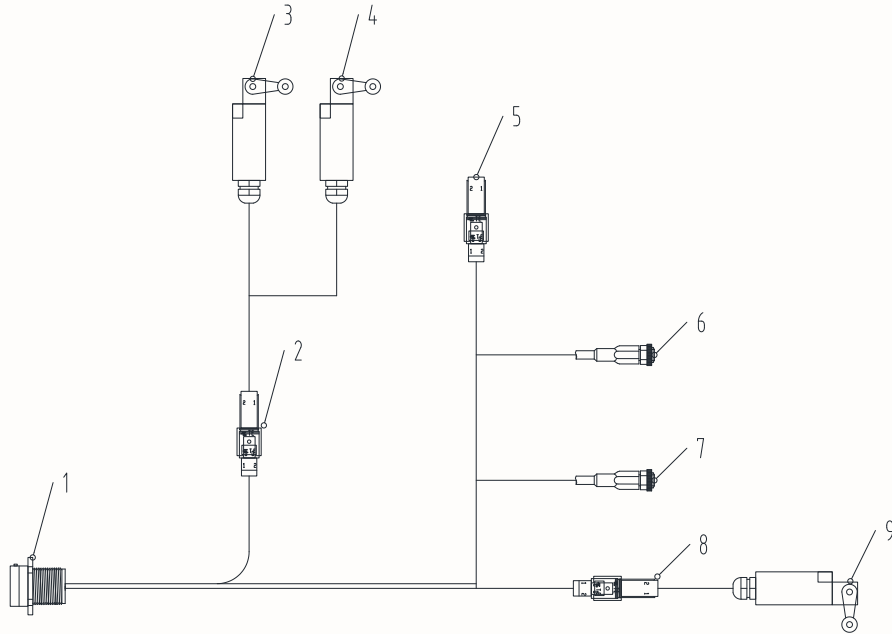
ECU cables 00771106200420000 (Deutz D435)



ECU cables00771106200420000 (Deutz D435) connector

NO.	Material No.	Item and Spec	Unit	Mark No.
1	1029901896	Rear cover/1011-231-0305	1	2
2	1022259178	Connector/DT06-3S	1	
3	1020700590	Latch/W3S-1939-P012	1	
4	1020700543	Terminal/1062-16-0122	3	
5	1020700540	Connector/DT04-3P-P006	1	
6	1022260073	Latch/W3P	1	
7	1029900002	Cutting sleeve/282189-1	1	7
8	1029900129	Terminal/927770-1	2	
9	/	Waterproof plug/828904-1	1	
10	1020703635	Protecting case/7807128	1	
11	1022200646	Connector attachment/1011-227-0205	2	8、9
12	1020700951	Connector/DT06-2S	2	
13	1022200194	Latch/W2S	2	
14	1020700543	Terminal/1062-16-0122	4	
15	1029902634	Cutting sleeve/DSLCT-0032	1	10
16	1029900402	ITT cutting sleeve/HM 26ITT	1	
17	1029902633	Male pin/DSLCT-0202 male pin	10	
18	1029902631	Male pin/DSLCT-0102 male pin	4	

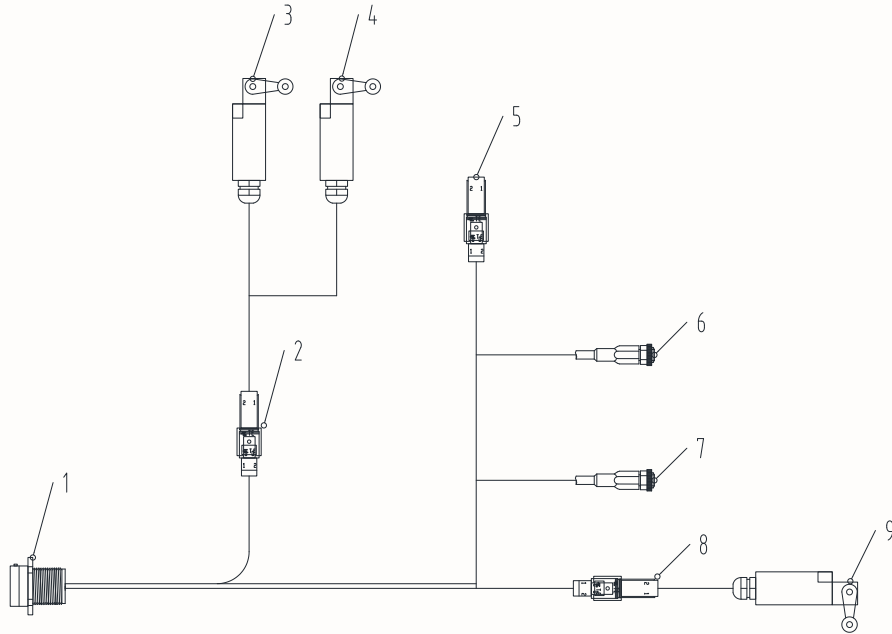
Boom cables 00771106200430000



Boom cables 00771106200430000 Terminal components

NO.	Material No.	Item and Spec	Unit	Mark No.
1	00771106200410000/ 00771106210410000	Turntable cables	1	1
2	1020516032	Boom length limit switch(stowed)	1	2
3	1020516032	Boom length limit switch(stowed)	1	3
4	1020700540	Terminal resistance	1	4
5	1021404017	Boom length sensor	1	5
6	1021404018	Boom leveling sensor	1	6
7	1020516032	Wire rope loose limit switch	1	7

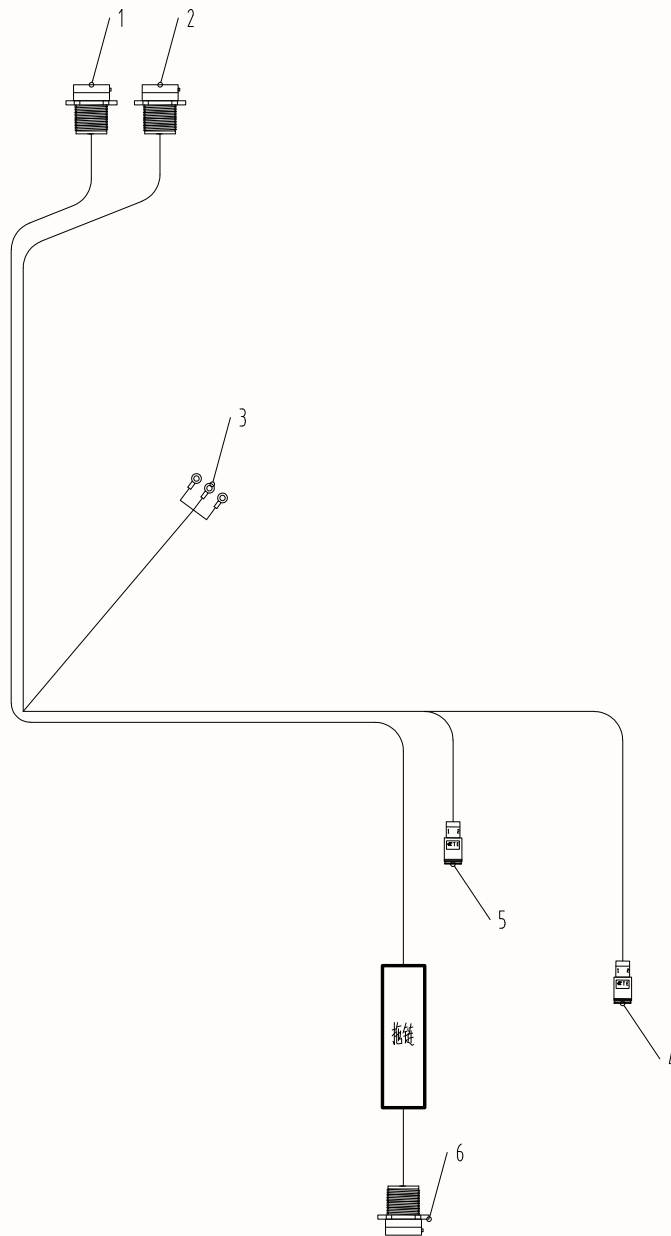
Boom cables 00771106200430000



Boom cables 00771106200430000 connector

NO.	Material No.	Item and Spec	Unit	Mark No.
1	1020702639	Round connector/HD34-18-14PN	1	1
2	1020700543	Contact pin/1062-16-0122	8	
3	1029900385	Connector/DTM06-3S	1	2
4	1029900387	Latch/WM-3S	1	
5	1020701496	Plug/1062-20-0122	3	
6	1029900389	Plastic rear cover/DTM3S-BT	1	
7	1029900384	Connector/DTM04-3P	1	
8	1029900386	Latch/WM-3P	1	
9	1020701495	Plug/1060-20-0122	3	
10	1029900388	Plastic rear cover/DTM3P-BT	1	5
11	1029901896	Plastic rear cover/1011-231-0305	1	
12	1022259178	Connector/DT06-3S	1	
13	1020700590	Latch/W3S-1939-P012	1	
14	1020701496	Socket/1062-16-0122	3	
15	1020700540	Connector/DT04-3P-P006	1	
16	1022260073	Latch/W3P	1	6、7
17	1020701702	Sensor cable/EVC070	2	
18	1020700949	Connector/DT04-2P	1	8
19	1022260070	Latch/W2P	1	
20	1020700969	Plug/1060-16-0122	2	
21	1022200645	Connector attachment/1011-229-0205	1	
22	1020700951	Connector/DT06-2S	1	
23	1022200194	Latch/W2S	1	
24	1020700543	Contact pin/1062-16-0122	2	
25	1022200646	Connector attachment/1011-227-0205	1	

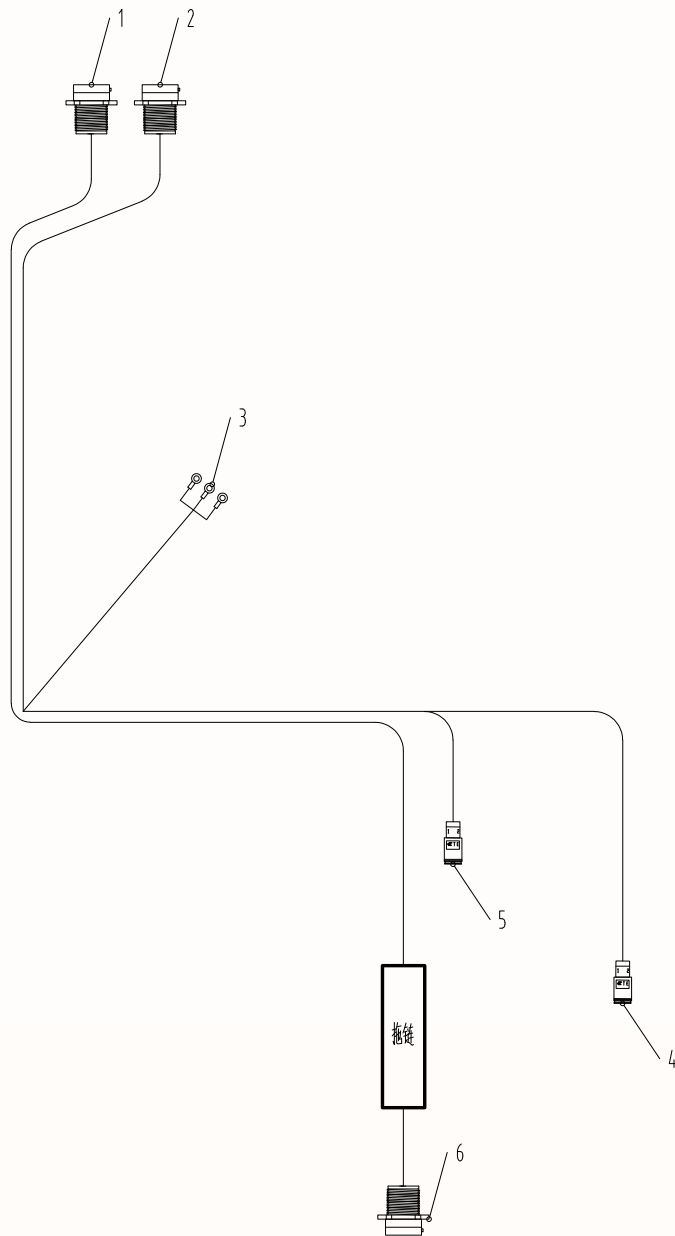
Platform cables 00771106200440000 Cable restructuring 00771106200610000



Platform cables 00771106200440000 Terminal components
Cable restructuring 00771106200610000 Terminal components

NO.	Material No.	Item and Spec	Unit	Mark No.
1	00771106200210000	Platform electrical box	1	1
2	1020521022	Foot switch	1	3
3	1021404016	Load cell	1	5

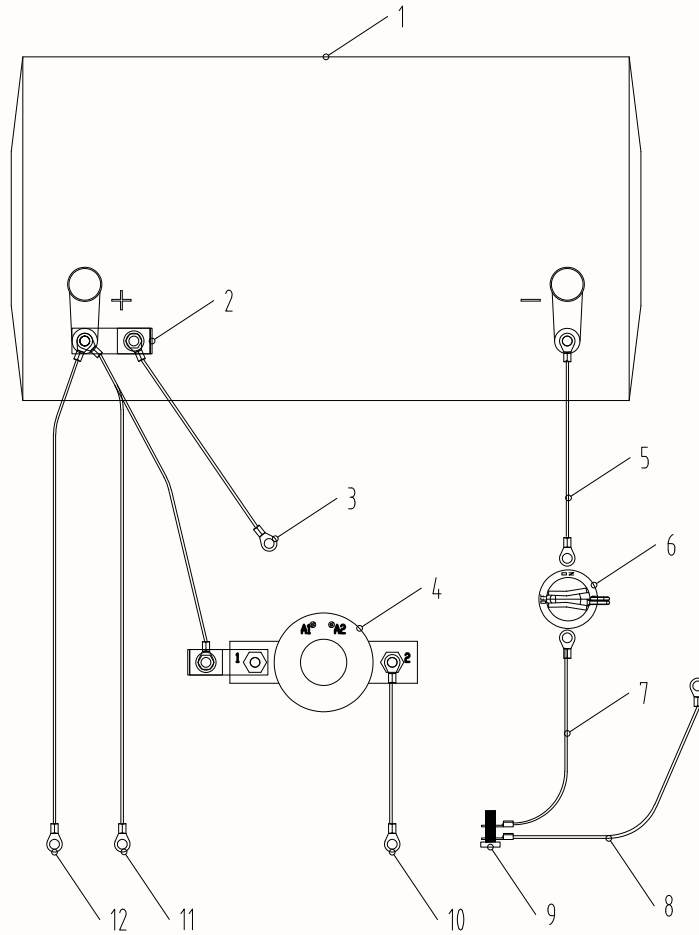
Platform cables 00771106200440000 Cable restructuring 00771106200610000



Platform cables 00771106200440000 connector
Cable restructuring 00771106200610000 connector

NO.	Material No.	Item and Spec	Unit	Mark No.
1	1020700542	Cable marker/HD36-24-31SE-059	1	1
2	1020700543	Contact pin/1062-16-0122	11	
3	1022200446	23 hole Connector/HD36-24-23ST	1	2
4	1020700543	Contact pin/1062-16-0122	9	
5	1022200647	Plastic rear cover/1011-237-0405	1	4
6	1020700953	socket sheath/DT04-4P	1	
7	1022260075	Latch/W4P	1	
8	1020700969	Contact pin/1060-16-0122	2	
9	1022200646	Connector attachment/1011-227-0205	1	5
10	1020700951	Connector/DT06-2S	1	
11	1022200194	Latch/W2S	1	
12	1020700543	Contact pin/1062-16-0122	2	
13	1020703399	Circular connector/HD36-18-14SN	1	6
14	1020700543	Contact pin/1062-16-0122	11	

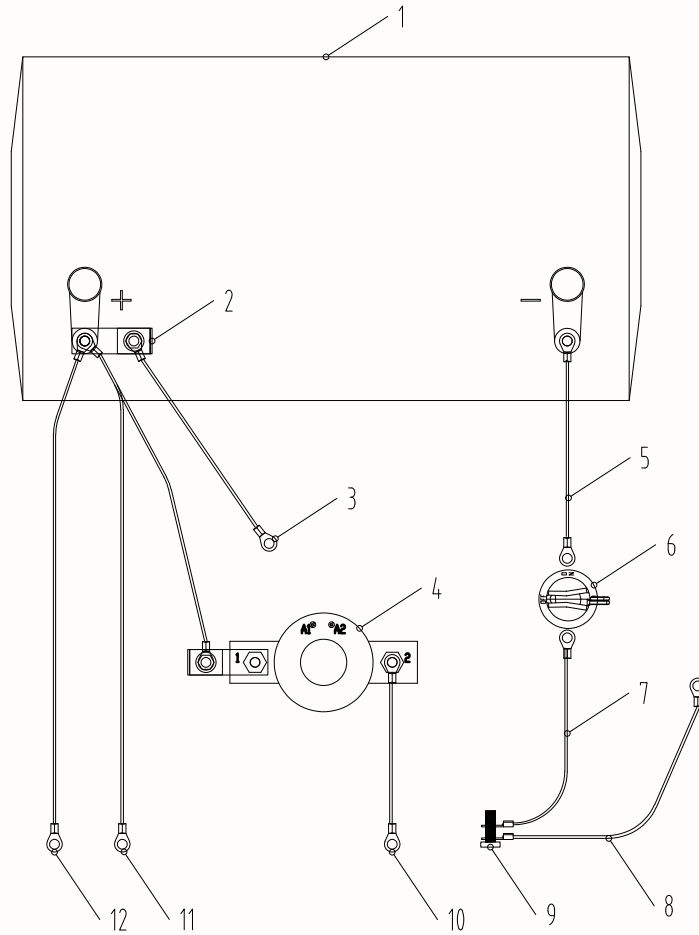
Power line 00771106210450000 (Perkins)



Power line 00771106210450000 (Perkins) Terminal components

NO.	Material No.	Item and Spec	Unit	Mark No.
1	1029905348	Battery	1	1
2	1020605356	Annular assurance	2	2
	0067220632181001A-c	Annular assurance bracket	2	
	1020402443	Insulation nut	2	
3	00771106200450050	Auxiliary pump and insurance cables	1	3
4	1020305006	DC contactor	1	4
5	00771106200450020	Battery negative to manual switch connection	1	5
6	1029900667	Manual switch	1	6
7	00771106200450030	Manual switch to ground wire	1	7
8	00771106200450060	Engine and negative ground wire	1	8
9	00771106210450100	Relay and pre-heater connecting wire	1	10
10	00771106200450070	Battery and preheating insurance and generator connecting wire	1	11
11	00771106200450010	Battery and starting motor connecting wire	1	12

Power line 00771106200450000 (Deutz D435)



Power line 00771106200450000 (Deutz D435) Terminal components

NO.	Material No.	Item and Spec	Unit	Mark No.
1	1029905348	Battery	1	1
2	1020605356	Annular assurance	2	2
	0067220632181001A-c	Annular assurance bracket	2	
	1020402443	Insulation nut	2	
3	00771106200450050	Auxiliary pump and insurance cables	1	3
4	1020305006	DC contactor	1	4
5	00771106200450020	Battery negative to manual switch connection	1	5
6	1029900667	Manual switch	1	6
7	00771106200450030	Manual switch to ground wire	1	7
8	00771106200450060	Engine and negative ground wire	1	8
9	00773406200450090	Relay and preheater connecting wire	1	10
10	00771106200450070	Battery and preheating insurance and generator connecting wire	1	11
11	00771106200450010	Battery and starting motor connecting wire	1	12

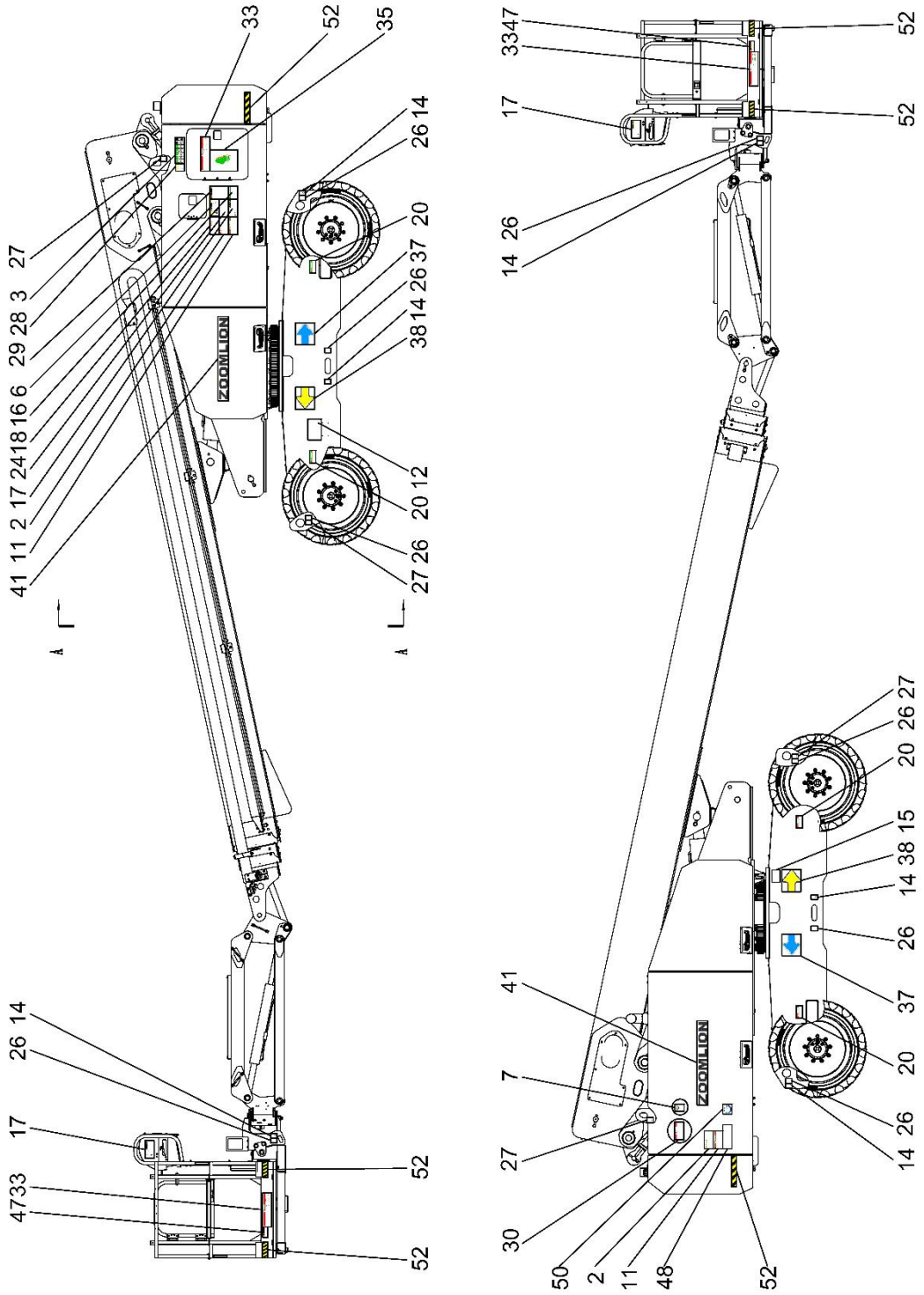
ZOOMLION

Parts Manual

Section 8 Lable Assembly



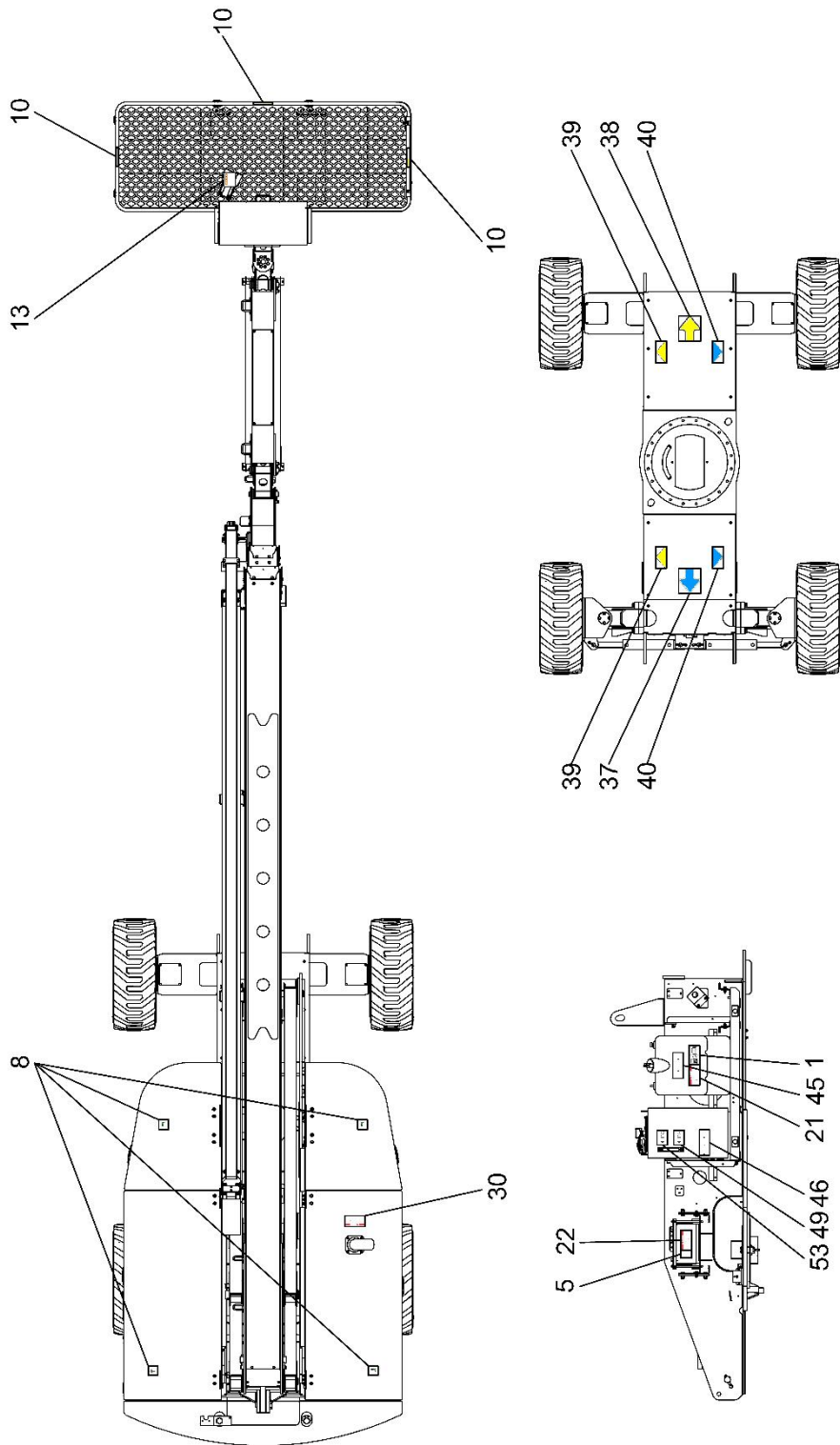
Label assembly 0077110700000000



Label assembly 0077110700000000

NO.	Material No.	Item and Spec	Unit	Remark
2	00773407001601070	Electrocution hazard	6	
3	00773407001601080	Ground control box instruction	1	
6	00773407000401160	Trained and authorized personnel only	1	
7	00773407001601170	No touch	1	
11	00773407001601210	Extrusion hazard	3	
12	00771409901601042	Nameplate	1	
14	00773407000201240	No lifting	6	
15	00773407000401250	Stop pins must be inserted during transportation	1	
16	00773407000401260	Precautions for use	2	
17	00773407000401270	Prohibition of high-pressure water flushing	3	
18	00773407001601310	Never change the limit switch	1	
20	00773407001601360	Tilt hazard and tire	4	
24	00773407000401400	Read instruction carefully	1	
26	00773407000201420	Tie down	8	
27	00773407000201430	Lifting	4	
28	00773407000401440	Main power switch operating instruction	1	
29	00773407000401450	Inspection before operation	2	
30	00773407001601470	Burn preventing	1	
33	00771107001601020	Overturning hazard	4	
35	00771107001601010	Range of motion diagram	2	
37	00771407000201080	Blue arrow	3	
38	00771407000201090	Yellow arrow	3	
41	00773407000201030	ZOOMLION	2	
42	00771407000201130	Boom ZOOMLION LOGO	2	
47	00775607000401320	Non-insulated	3	
48	00771107001601030	Transport and lift instruction	1	

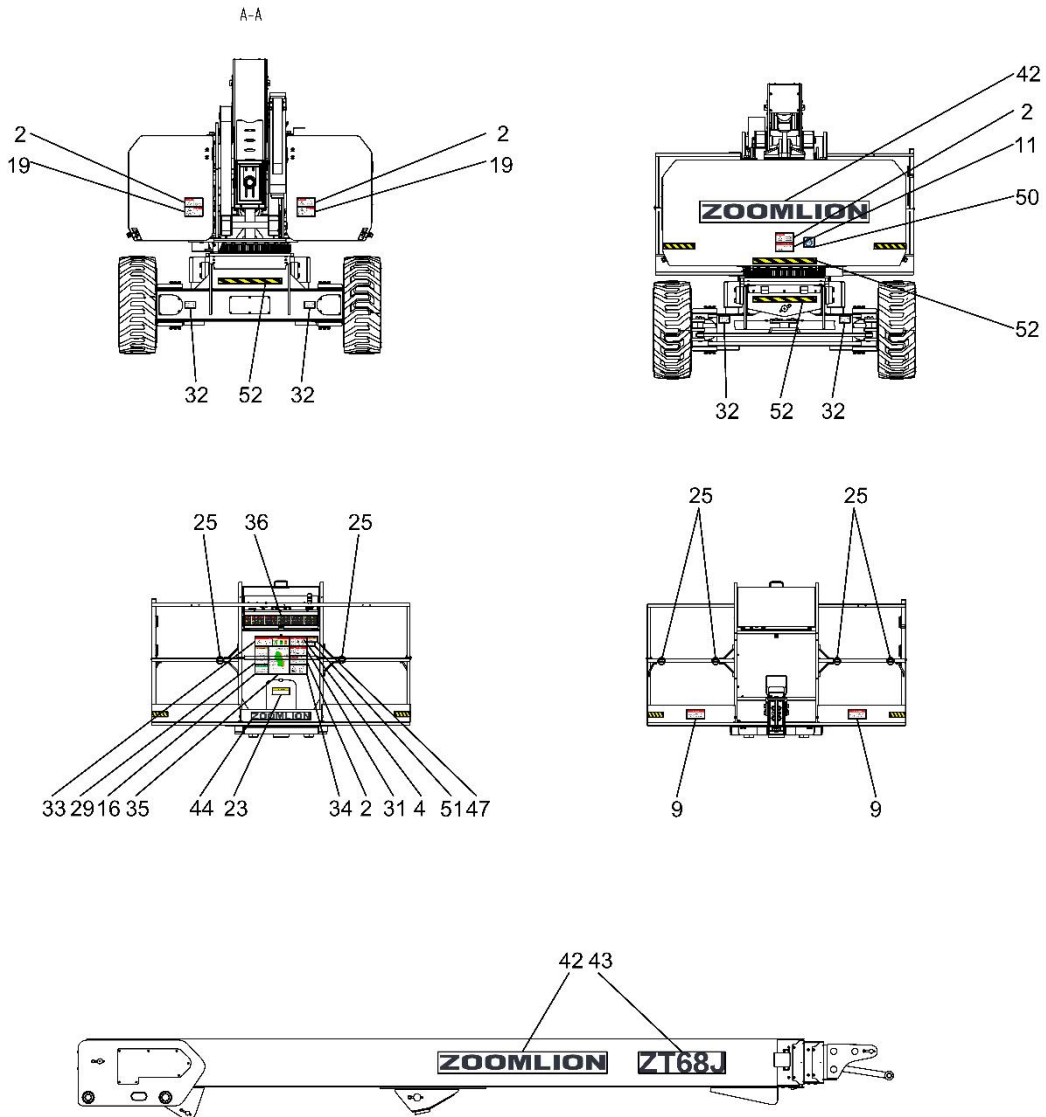
Label assembly 0077110700000000



Label assembly 0077110700000000

NO.	Material No.	Item and Spec	Unit	Remark
1	00773407000201060	Refill according to the operation manual	1	
5	00773407000401150	Disconnect battery	1	
8	00773407000201180	No stepping	4	
21	00773407001601370	Explode hazard1	1	
22	00773407000201380	Explode hazard2	1	
27	00773407000201430	Lifting	4	
37	00771407000201080	Blue arrow	3	
38	00771407000201090	Yellow arrow	3	
39	00771407000201100	Yellow triangle	2	
40	00771407000201110	Blue triangle	2	
45	00771407000401150	Diesel tank	1	
46	00771407000401160	Hydraulic oil tank	1	
49	00773407000201480	Low oil level	1	
50	00771407001601180	US Identification	1	
53	00773407000201490	High oil level	1	

Label assembly 0077110700000000



Label assembly 0077110700000000

NO.	Material No.	Item and Spec	Unit	Remark
2	00773407001601070	Electrocution hazard	6	
4	00773407001601090	Overturning and collision hazard	1	
9	00773407001601190	Smashing hazard	2	
10	00773407000401200	No handholds or lanyard	3	
11	00773407001601210	Extrusion hazard	3	
13	00773407000401230	Foot switch failure	1	
16	00773407000401260	Precautions for use	2	
17	00773407000401270	Prohibition of high-pressure water flushing	3	
19	00773407001601320	Collision hazard	2	
23	00773407000401390	Preserve the manual	1	
25	00773407001601410	Safety lanyard point	6	
29	00773407000401450	Inspection before operation	2	
31	00771407001601010	Overturning hazard and tilt alarm	1	
32	00771107001601060	Wheel capacity	4	
33	00771107001601020	Overturning hazard	4	
34	00771107000201050	Slope rated value	1	
35	00771107001601010	Range of motion diagram	2	
36	00771407001601070	Platform control box instruction	1	
42	00771407000201130	Boom ZOOMLION LOGO	2	
43	00771107001601070	ZOOMLION LOGO	1	
44	00773407000201010	Platform ZOOMLION LOGO	1	
51	00771407001601190	California Bill Warns	1	
52	1109900961	Warning Tape	12ft×0.16ft	